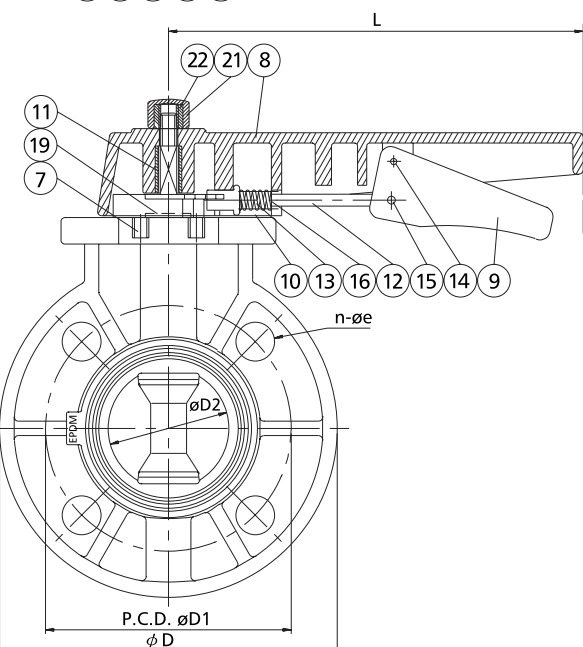
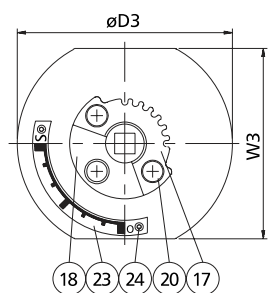
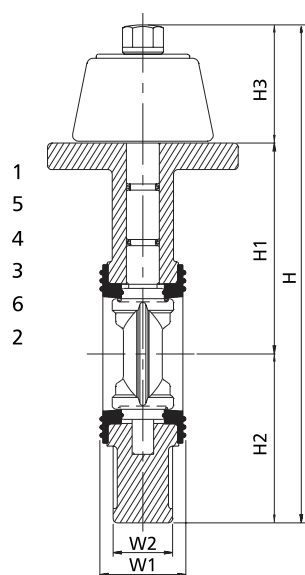


VP-810

Válvula Borboleta (Tipo Waffer)

Classe de Pressão:
232 psi a 23°C

- Compacta e Leve
- Baixa Perda de Carga
- Indicador de abertura da alavanca
- válvula pode ser atuada com uso dos insertos no corpo da válvula



Tipo	Dia	Norma	Material	Assento	O'ring	Disco	Tipo
VP-810	2"~8"	ANSI, JIS, DIN	PVC	EPDM, FPM	EPDM, FPM	PP	Waffer
VP-811	2"~8"	ANSI, JIS, DIN	CPVC	EPDM, FPM	EPDM, FPM	CPVC	Waffer
VP-813	2"~8"	ANSI, JIS, DIN	PVDF	EPDM, FPM	EPDM, FPM	PVDF	Waffer
VP-814	2"~8"	ANSI, JIS, DIN	PP	EPDM, FPM	EPDM, FPM	PP	Waffer

Nom.	SIZE	50mm	65mm	80mm	100mm	125mm	150mm	200mm
		(2")	(2-1/2")	(3")	(4")	(5")	(6")	(8")
JIS	D1	120	140	150	175	210	240	290
	n-øe	4-19	4-19	8-19	8-19	8-23	8-23	12-23
ANSI	D1	121	140	152	191	216	241	298
	n-øe	4-19	4-19	4-19	8-19	8-22	8-22	8-22
DIN	D1	125	145	160	180	210	240	295
	n-øe	4-18	4-18	8-18	8-18	8-18	8-22	8-22
D		165	185	200	229	257	285	343
D2		56.5	69.5	79.5	102.5	130	153	203
D3		105	120	123	135	164	169	201
L		199	199	199	252	297	297	297
H		248.5	267.5	277	316	373.5	404.5	464.5
H1		103	113	115	135.5	165	177	210
H2		82.5	92.5	100	114.5	128.5	142.5	171.5
H3		63	62	62	66	80	83	83
W1		43	46	46	56	69	70.5	85
W2		35	36	36	47	57	62	76
W3		94	94	94	100	110	100	122

NO.	PART	MATERIAL	QTY
1	BODY	UPVC, CPVC,PP,PVDF	1
2	DISC	UPVC, CPVC,PP,PVDF	1
3	SEAT SEAL	EPDM, FPM	1
4	STEM	SUS 410	1
5	STEM O-RING	EPDM, FPM	2
6	DISC O-RING	EPDM, FPM	2
7	INSERT NUT 2"~6"	C3604	3
8	LARGE HANDLE	PP	1
9	SMALL HANDLE	PP	1
10	SPRING LOCK	PP	1
11	HANDLE INSERT	STAINLESS STEEL	1
12	HANDLE LEVER	SUS 304	1
13	SPRING	SUS 304	1
14	SPRING PIN	SUS 304	1
15	SPRING PIN	SUS 304	1
16	WASHER	SUS 304	1
17	LOCKING PLATE	SUS 304	1
18	GEAR SEAT	PP+GF,UPVC,PVDF	1
19	STEM WASHER 2"~5"	SUS 304	1
20	BOLT	SUS 304	3
21	NUT	UPVC, PVDF	1
22	INSERT NUT	C3604	1
23	LEVEL	SUS 304	1
24	RIVET	STAINLESS STEEL	2